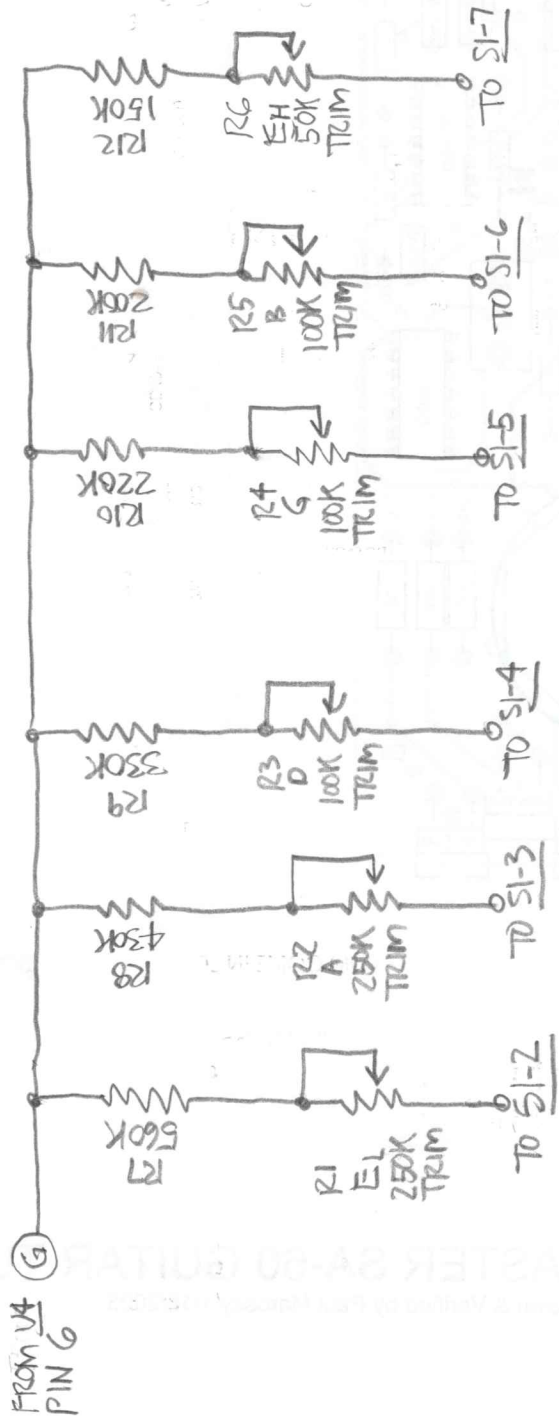
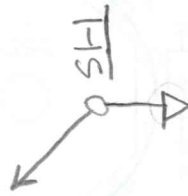


U1 = MC1458  
 U3 = CD4030

PITCHMASTER SA-60 PART 1  
 PAUL MARROSSY  
 1/15/23

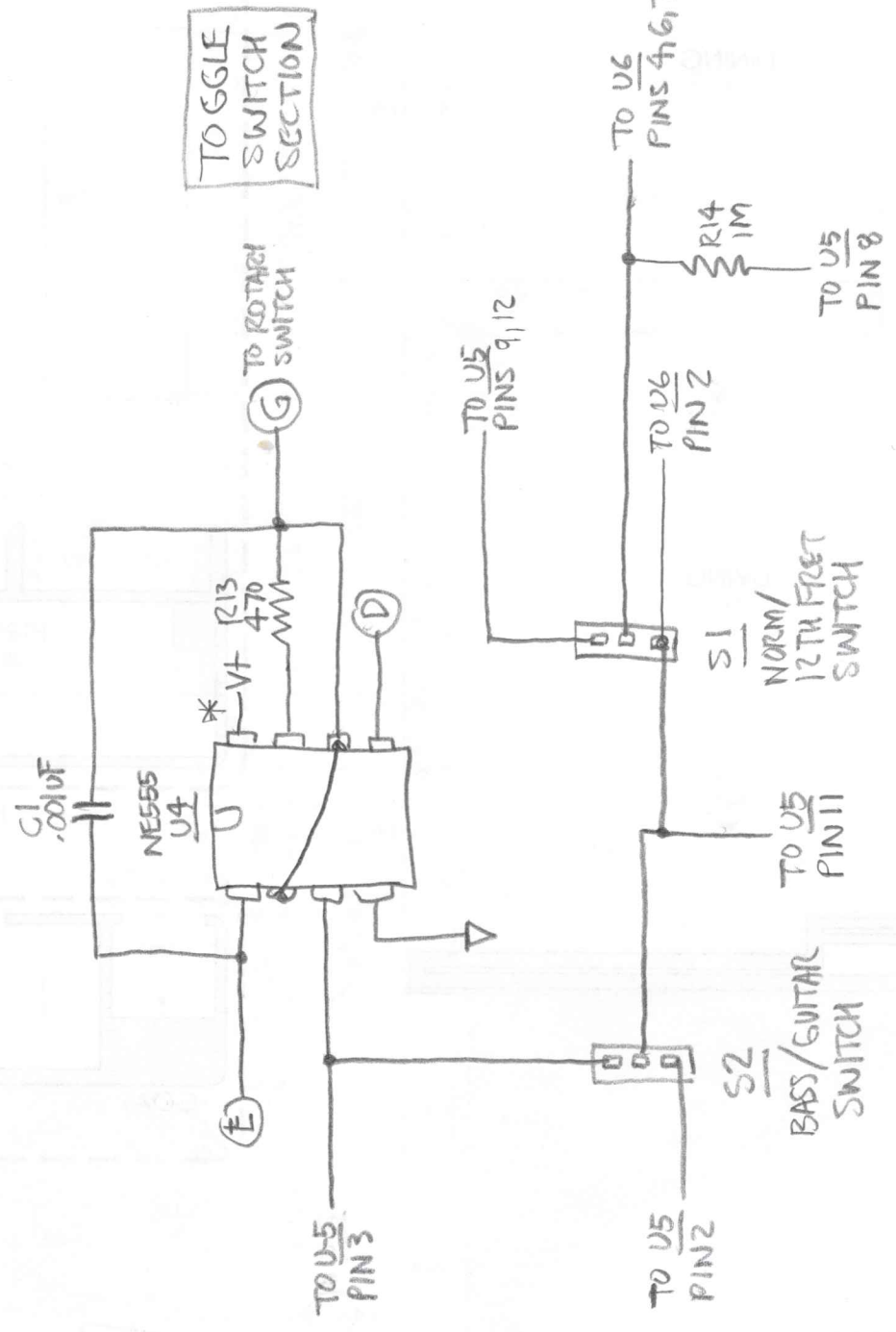


G-POSITION  
ROTARY  
SWITCH  
SECTION



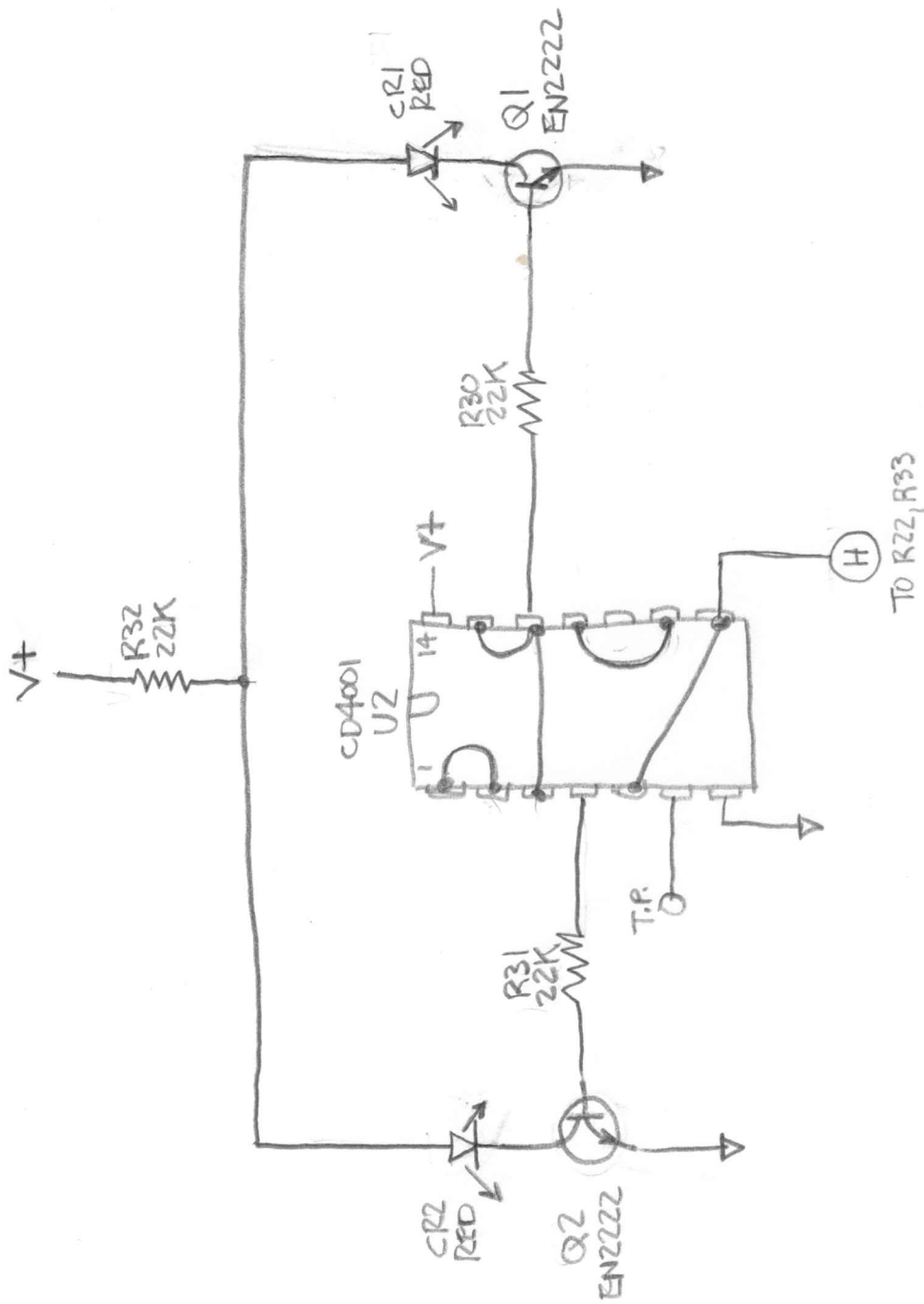
PITCHMASTER SA-60 PART 2  
PAUL MAROSSY 1/23/22

\*PIN 8 DOES NOT APPEAR TO BE DIRECTLY CONNECTED TO V+, NOT SURE HOW CONNECTED!



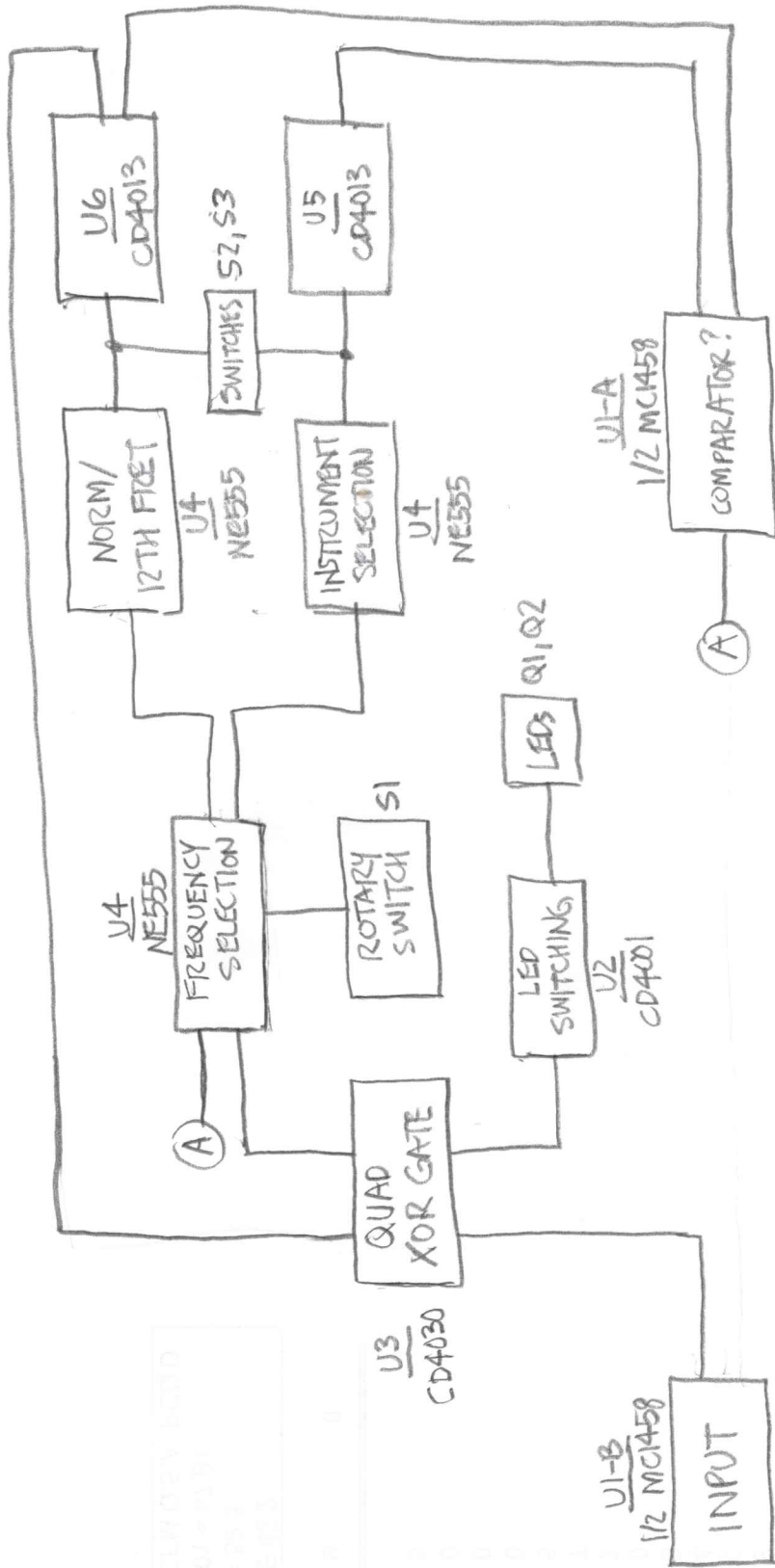
### PITCHMASTER SA-60 PART 3

PAUL MAROSSY 1/23/22



LED SWITCHING

PITCHMASTER SA-60 PART 4  
 PAUL MARGOSSY 1/23/23



PITCHMASTER SA-60  
 BLOCK DIAGRAM  
 PAUL MAROSSY 1/24/23